

Specification sheet LX 2292

Roof drainage systems

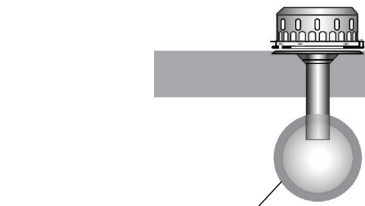
Series 84 DRAINLET[®]

Main drainage

Gravity flow

Silent Power

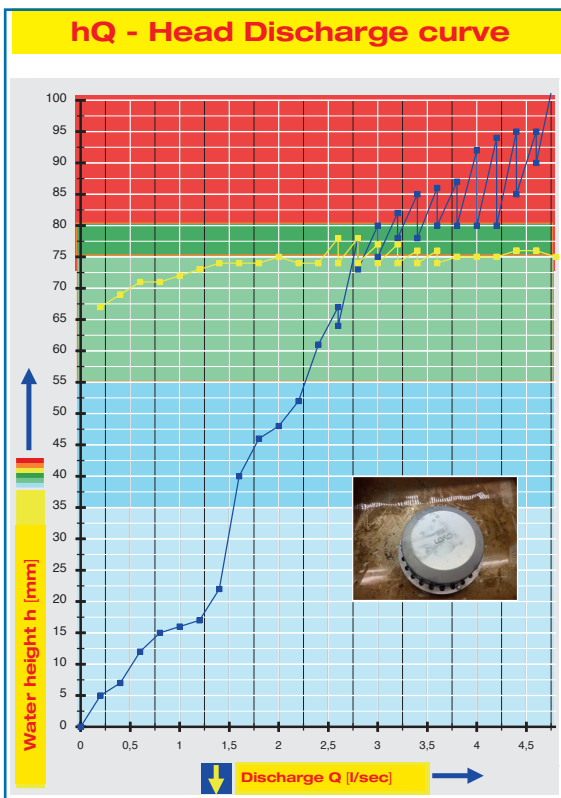
Discharge rate:	1,55 l/sec
Water height:	35 mm
Roof penetration:	-
Diameter:	DN 50
LX-Number:	LX 2292
Weir height:	0 mm
Drain:	ventilated
Downpipe:	ventilated
Downpipe height:	-
Drainage:	in sewer



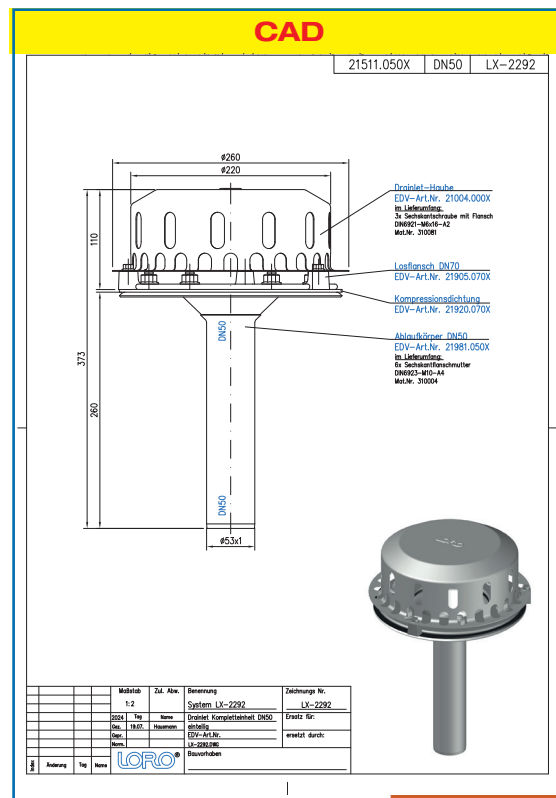
Horizontal manifold with gradient

LX 2292 Piece list

1 x Art.-No. choose drain on page two!



Systempower



Systemshape

Water height	mm	5	10	15	20	25	30	35	40	45	50	55	60	65	70	75	80
Discharge	l/sec	0,2	0,5	0,8	1,3	1,43	1,49	1,55	1,6	1,77	2,1	2,27	2,38	2,52	2,69	2,77	3,0
Silent Power																	

Choose drain for piece list on page one!

DN 50

without thermal insulation

LX2292-5X

**one-piece
clamping flange**
for bituminous and plastic
roofing sheets



Drain
Art.-No. 21511.050X

LX2292-6X

**two-piece
clamping flange**
for bituminous and plastic
roofing sheets



Drain
Art.-No. 21521.050X

with thermal insulation

LX2292-7X

**one-piece
clamping flange**
for bituminous and plastic
roofing sheets



Drain
Art.-No. 21512.050X

LX2292-8X

**two-piece
clamping flange**
for bituminous and plastic
roofing sheets



Drain
Art.-No. 21522.050X

with thermal insulation and heating

LX2292-9X

**one-piece
clamping flange**
for bituminous and plastic
roofing sheets



Drain
Art.-No. 21513.050X

LX2292-10X

**two-piece
clamping flange**
for bituminous and plastic
roofing sheets



Drain
Art.-No. 21523.050X

Heat tracing: Lorowerk recommends to check all drains and pipes with regard to their frost-sensibility. Where necessary, these parts should be upgraded with heat tracing.